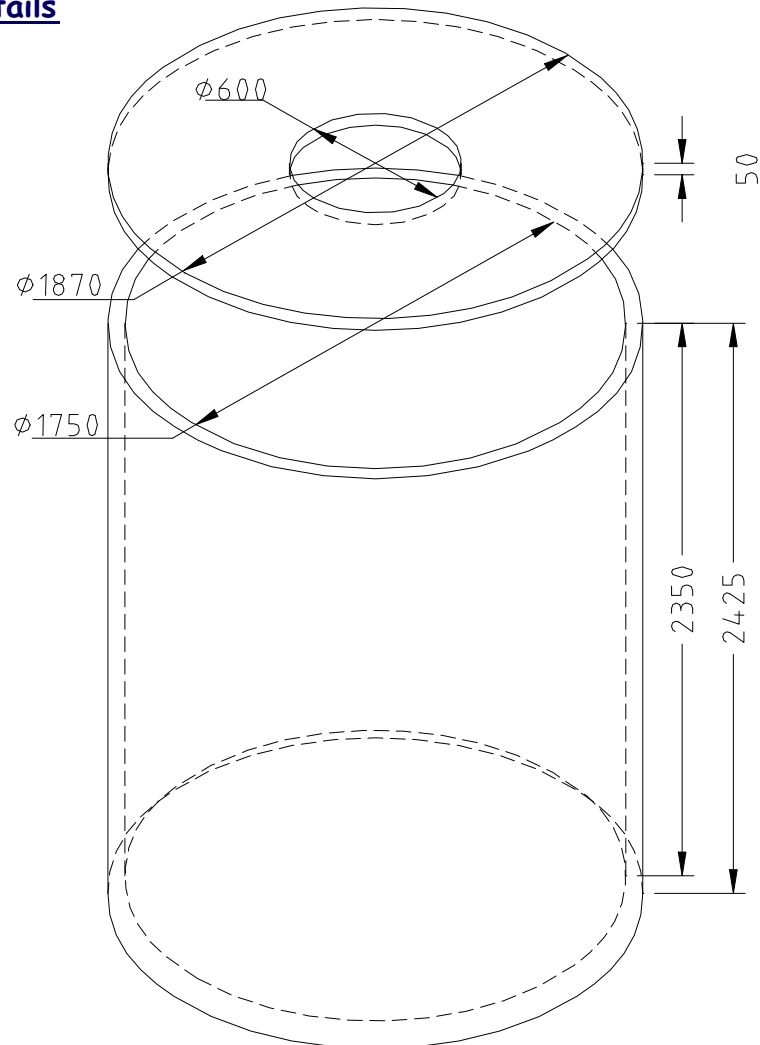




General Details



Weight of tank 3 tonnes

General notes :

1. Precast concrete tanks are designed to comply with all relevant current British Standards.
2. Concrete strengths are 50N minimum unless otherwise stated.
3. The tank is typically placed on a 50mm sand bed.
4. Concrete tanks generally can be backfilled with excavated material and there is generally no requirement for concrete backfilling, resulting in considerable cost savings.
5. All inlet and outlet holes must be drilled.
6. Tank is placed with a truck crane provided adequate access is available.